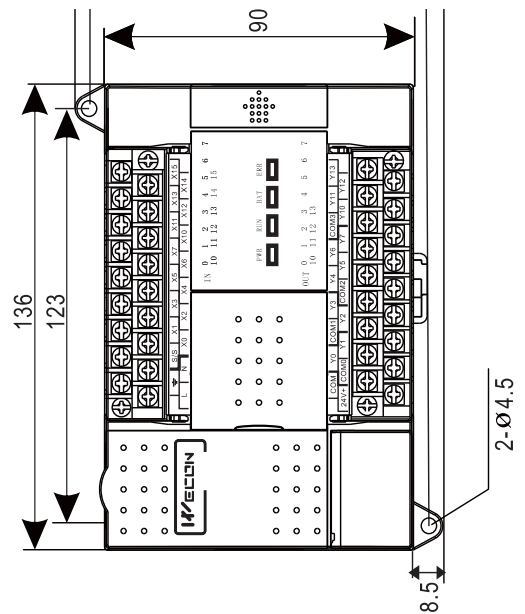


Model	I/O	Output Type	Pulse Output	RS485	BD Board	Module
LX3VE-1412MT-A	14 12	T	2	2	1	√
LX3VE-1412MT4H-A	14 12	T	4	2	1	√

GENERAL

Item	LX3VE Series
Running Mode	Round Scan/ Interrupt
Programming	Instruction List/ Ladder
Total Instructions	140
Execute time	Basic Instructions: 0.06us / Applied Instruction: 1~10us
System Storage	32K
Download/ Monitoring	Serial Programming Cable / Mini USB
High Speed Pulse Output	Transistor: 2 channels (4 channel optional) / Relay N/A (2 channel optional)
External Interrupt	6 Channels
Timer Interrupt	3 Channels
Holding Addresses	Adjustable
Storage	FLASH
Filter	For all X input terminals
Serial Port	COM1: RS422 or RS485 COM2: RS485
Temperature	Working Temperature: 0 ~ 55°C / Storage Temperature: -20 ~ 70°C
Humidity	5~ 85%RH (Without condensation)
Shock Resistance	JIS C 0040 Standard
Influence Immunity	Meet the IEC61000-4-4 and GB/T 17626.4 standard: Noise voltage amplitude 1KVP-P, pulse width 10us, period 0.3 s, edge time 5ns, duration 1min.

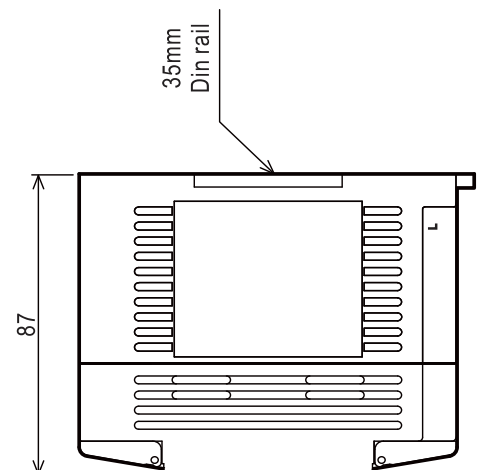


POWER SUPPLY

Item	AC	DC
Power Supply	AC 85~265V 50 ~ 60Hz	DC 24V±10%
Power Outage Time	10ms	10ms
Power Fuse	250V 3.15A	250V 3.15A
Rush Current	<15A 5ms / AC 100V; <30A 5ms / AC 200V	<15A 1ms / DC 24V
Power Consumption	<35W	<30W
Power Output	DC 24V 850mA	No

OUTPUT

Item	Relay	Transistor
Output Mode	--	NPN
Input Power Supply	DC 24V	DC 24V
Output Circuit	<AC 250V or <DC 30	DC 5~30V
COM Port Current	--	<0.1mA (DC 30V)
Insulation	Mechanistic	Optical Coupling
Leak current	--	0.1mA / DC 30V
Min. Load	--	DC5V 2mA
Max. Load	Resistive: 2A point 8A COM port	0.5A point 0.8A COM port 0.3A HSPO point
	Inductive: 80VA	12W/DC24V 7.2W HSPO point
	General: 100W	0.9W/DC 24V
Response Time	<10ms	<0.2ms (Pulse output terminal: <5us)



Model	I/O	Output Type	Pulse Output	RS485	BD Board	Module
LX3VE-1616MT-A	16 16	T	2	2	2	√
LX3VE-1616MT4H-A	16 16	T	4	2	2	√
LX3VE-2416MT-A	24 16	T	2	2	2	√
LX3VE-2416MT4H-A	24 16	T	4	2	2	√

GENERAL

Item	LX3VE Series
Running Mode	Round Scan/ Interrupt
Programming	Instruction List/ Ladder
Total Instructions	140
Execute time	Basic Instructions: 0.06us / Applied Instruction: 1~10us
System Storage	32K
Download/ Monitoring	Serial Programming Cable / Mini USB
High Speed Pulse Output	Transistor: 2 channels (4 channel optional) / Relay N/A (2 channel optional)
External Interrupt	6 Channels
Timer Interrupt	3 Channels
Holding Addresses	Adjustable
Storage	FLASH
Filter	For all X input terminals
Serial Port	COM1: RS422 or RS485 COM2: RS485
Temperature	Working Temperature: 0 ~ 55°C / Storage Temperature: -20 ~ 70°C
Humidity	5~ 85%RH (Without condensation)
Shock Resistance	JIS C 0040 Standard
Influence Immunity	Meet the IEC61000-4.4 and GB/T 17626.4 standard: Noise voltage amplitude 1KVP-P, pulse width 10us, period 0.3 s, edge time 5ns, duration 1min.

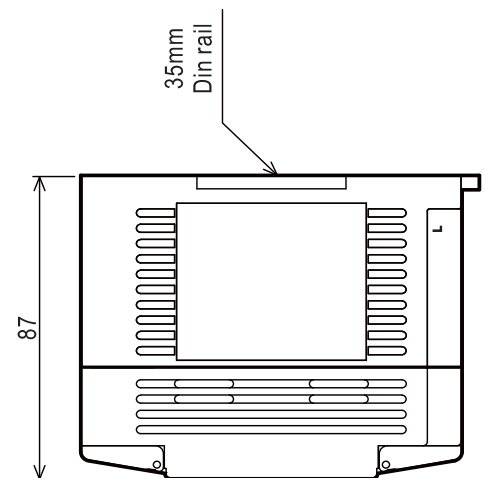
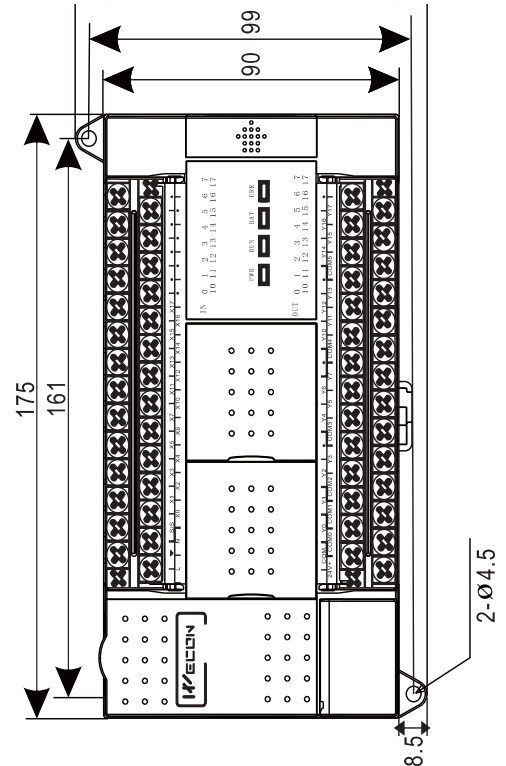


POWER SUPPLY

Item	AC	DC
Power Supply	AC 85~265V 50 ~ 60Hz	DC 24V±10%
Power Outage Time	10ms	10ms
Power Fuse	250V 3.15A	250V 3.15A
Rush Current	<15A 5ms / AC 100V; <30A 5ms / AC 200V	<15A 1ms / DC 24V
Power Consumption	<60W	<30W
Power Output	DC 24V 700mA	No

OUTPUT

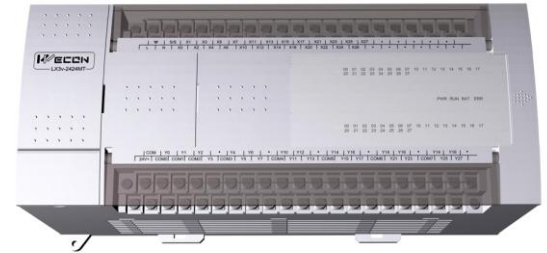
Item	Relay	Transistor
Output Mode	--	NPN
Input Power Supply	DC 24V	DC 24V
Output Circuit	<AC 250V or <DC 30	DC 5~30V
COM Port Current	--	<0.1mA (DC 30V)
Insulation	Mechanistic	Optical Coupling
Leak current	--	0.1mA / DC 30V
Min. Load	--	DC5V 2mA
Max. Load	Resistive 2A point 8A COM port	0.5A point 0.8A COM port 0.3A HSPO point
	Inductive 80VA	12W/DC24V 7.2W HSPO point
	General 100W	0.9W/DC 24V
Response Time	<10ms	<0.2ms (Pulse output terminal: <5us)



Model	I/O	Output Type	Pulse Output	RS485	BD Board	Module
LX3VE-2424MT-A	24 24	T	2	2	2	√
LX3VE-2424MT4H-A	24 24	T	4	2	2	√
LX3VE-3624MT-A	36 24	T	2	2	2	√
LX3VE-3624MT4H-A	36 24	T	4	2	2	√

GENERAL

Item	LX3VE Series
Running Mode	Round Scan/ Interrupt
Programming	Instruction List/ Ladder
Total Instructions	140
Execute time	Basic Instructions: 0.06us / Applied Instruction: 1~10us
System Storage	32K
Download/ Monitoring	Serial Programming Cable / Mini USB
High Speed Pulse Output	Transistor: 2 channels (4 channel optional) / Relay N/A (2 channel optional)
External Interrupt	6 Channels
Timer Interrupt	3 Channels
Holding Addresses	Adjustable
Storage	FLASH
Filter	For all X input terminals
Serial Port	COM1: RS422 or RS485 COM2: RS485
Temperature	Working Temperature: 0 ~ 55°C / Storage Temperature: -20 ~ 70°C
Humidity	5~ 85%RH (Without condensation)
Shock Resistance	JIS C 0040 Standard
Influence Immunity	Meet the IEC61000-4-4 and GB/T 17626.4 standard: Noise voltage amplitude 1KVP-P, pulse width 10us, period 0.3 s, edge time 5ns, duration 1min.



POWER SUPPLY

Item	AC	DC
Power Supply	AC 85~265V 50 ~ 60Hz	DC 24V±10%
Power Outage Time	10ms	10ms
Power Fuse	250V 3.15A	250V 3.15A
Rush Current	<15A 5ms / AC 100V; <30A 5ms / AC 200V	<15A 1ms / DC 24V
Power Consumption	<60W	<30W
Power Output	DC 24V 700mA	No

OUTPUT

Item	Relay	Transistor
Output Mode	--	NPN
Input Power Supply	DC 24V	DC 24V
Output Circuit	<AC 250V or <DC 30	DC 5~30V
COM Port Current	--	<0.1mA (DC 30V)
Insulation	Mechanistic	Optical Coupling
Leak current	--	0.1mA / DC 30V
Min. Load	--	DC5V 2mA
Max. Load	Resistive 2A point 8A COM port	0.5A point 0.8A COM port 0.3A HSPO point
	Inductive 80VA	12W/DC24V 7.2W HSPO point
	General 100W	0.9W/DC 24V
Response Time	<10ms	<0.2ms (Pulse output terminal: <5us)

